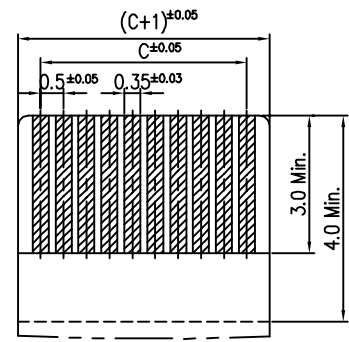
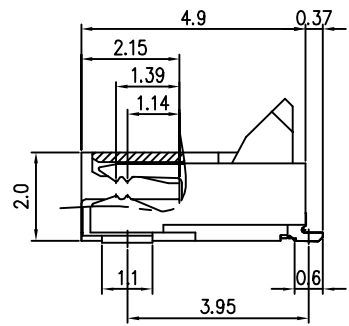
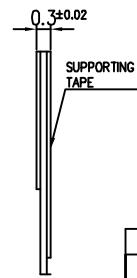


RECOMMENDED PCB LAYOUT

NOTE
 1. GENERAL TOLERANCE: ±0.2
 2. MATING PARTS:
 -HOUSING : 05002HR-N
 -ACTUATOR : 05002AS-N
 -TERMINAL : 05002TR-N2
 -HOOK : 05002LR-N



RECOMMENDED APPLICABLE FFC



05002HR-NNN2							
Pos.	A	B	C	Pos.	A	B	C
5	6.0	3.0	2.0	38	22.5	19.5	18.5
6	6.5	3.5	2.5	39	23.0	20.0	19.0
7	7.0	4.0	3.0	40	23.5	20.5	19.5
8	7.5	4.5	3.5	41	24.0	21.0	20.0
9	8.0	5.0	4.0	42	24.5	21.5	20.5
10	8.5	5.5	4.5	43	25.0	22.0	21.0
11	9.0	6.0	5.0	44	25.5	22.5	21.5
12	9.5	6.5	5.5	45	26.0	23.0	22.0
13	10.0	7.0	6.0	46	26.5	23.5	22.5
14	10.5	7.5	6.5	47	27.0	24.0	23.0
15	11.0	8.0	7.0	48	27.5	24.5	23.5
16	11.5	8.5	7.5	49	28.0	25.0	24.0
17	12.0	9.0	8.0	50	28.5	25.5	24.5
18	12.5	9.5	8.5	51	29.0	26.0	25.0
19	13.0	10.0	9.0	52	29.5	26.5	25.5
20	13.5	10.5	9.5	53	30.0	27.0	26.0
21	14.0	11.0	10.0	54	30.5	27.5	26.5
22	14.5	11.5	10.5	55	31.0	28.0	27.0
23	15.0	12.0	11.0	56	31.5	28.5	27.5
24	15.5	12.5	11.5	57	32.0	29.0	28.0
25	16.0	13.0	12.0	58	32.5	29.5	28.5
26	16.5	13.5	12.5	59	33.0	30.0	29.0
27	17.0	14.0	13.0	60	33.5	30.5	29.5
28	17.5	14.5	13.5	61	34.0	31.0	30.0
29	18.0	15.0	14.0	62	34.5	31.5	30.5
30	18.5	15.5	14.5	63	35.0	32.0	31.0
31	19.0	16.0	15.0	64	35.5	32.5	31.5
32	19.5	16.5	15.5	65	36.0	33.0	32.0
33	20.0	17.0	16.0	66	36.5	33.5	32.5
34	20.5	17.5	16.5	67	37.0	34.0	33.0
35	21.0	18.0	17.0	68	37.5	34.5	33.5
36	21.5	18.5	17.5	69	38.0	35.0	34.0
37	22.0	19.0	18.0	70	38.5	35.5	34.5

4	HOOK	Phosphor Bronze	2	Tin-Plated
3	TERMINAL	Phosphor Bronze	NN	Au-Plated
2	ACTUATOR	THERMO PLASTIC	1	UL94V-0
1	HOUSING	THERMO PLASTIC	1	UL94V-0
I/NO	DESCRIPTION	MATERIAL	QTY	REMARK
YEONHO ELECTRONICS CO., LTD.				TITLE 05002HR-NNN2
SCALE	DRAWN	DESIGN	CHECK	APPD
10/1	K.K.S			J.J.H
SIZE A2				DWG. NO 05002HR-00N2-S
				REV

LTR	REVISION RECORD	DR	CHK	ECN
본 도면은 연호전자사의 지적재산이므로 임의의 COPY 및 배포를 금합니다				