

| NO. OF POS. | PARTS NO. | A | B | C |
|-------------|---------------|------|------|------|
| 3 | 10003HR-03A00 | 7.0 | 4.1 | 2.0 |
| ✓ 4 | 10003HR-04A00 | 8.0 | 5.1 | 3.0 |
| ✓ 5 | 10003HR-05A00 | 9.0 | 6.1 | 4.0 |
| 6 | 10003HR-06A00 | 10.0 | 7.1 | 5.0 |
| ✓ 7 | 10003HR-07A00 | 11.0 | 8.1 | 6.0 |
| ✓ 8 | 10003HR-08A00 | 12.0 | 9.1 | 7.0 |
| 9 | 10003HR-09A00 | 13.0 | 10.1 | 8.0 |
| 10 | 10003HR-10A00 | 14.0 | 11.1 | 9.0 |
| ✓ 11 | 10003HR-11A00 | 15.0 | 12.1 | 10.0 |
| 12 | 10003HR-12A00 | 16.0 | 13.1 | 11.0 |
| ✓ 13 | 10003HR-13A00 | 17.0 | 14.1 | 12.0 |
| 14 | 10003HR-14A00 | 18.0 | 15.1 | 13.0 |
| ✓ 15 | 10003HR-15A00 | 19.0 | 16.1 | 14.0 |
| ✓ 16 | 10003HR-16A00 | 20.0 | 17.1 | 15.0 |
| ✓ 17 | 10003HR-17A00 | 21.0 | 18.1 | 16.0 |
| ✓ 18 | 10003HR-18A00 | 22.0 | 19.1 | 17.0 |
| 19 | 10003HR-19A00 | 23.0 | 20.1 | 18.0 |
| 20 | 10003HR-20A00 | 24.0 | 21.1 | 19.0 |
| ✓ 21 | 10003HR-21A00 | 25.0 | 22.1 | 20.0 |
| 22 | 10003HR-22A00 | 26.0 | 23.1 | 21.0 |
| 23 | 10003HR-23A00 | 27.0 | 24.1 | 22.0 |
| ✓ 24 | 10003HR-24A00 | 28.0 | 25.1 | 23.0 |
| 25 | 10003HR-25A00 | 29.0 | 26.1 | 24.0 |
| ✓ 26 | 10003HR-26A00 | 30.0 | 27.1 | 25.0 |
| 27 | 10003HR-27A00 | 31.0 | 28.1 | 26.0 |
| 28 | 10003HR-28A00 | 32.0 | 29.1 | 27.0 |
| 29 | 10003HR-29A00 | 33.0 | 30.1 | 28.0 |
| ✓ 30 | 10003HR-30A00 | 34.0 | 31.1 | 29.0 |
| 31 | 10003HR-31A00 | 35.0 | 32.1 | 30.0 |
| ✓ 32 | 10003HR-32A00 | 36.0 | 33.1 | 31.0 |

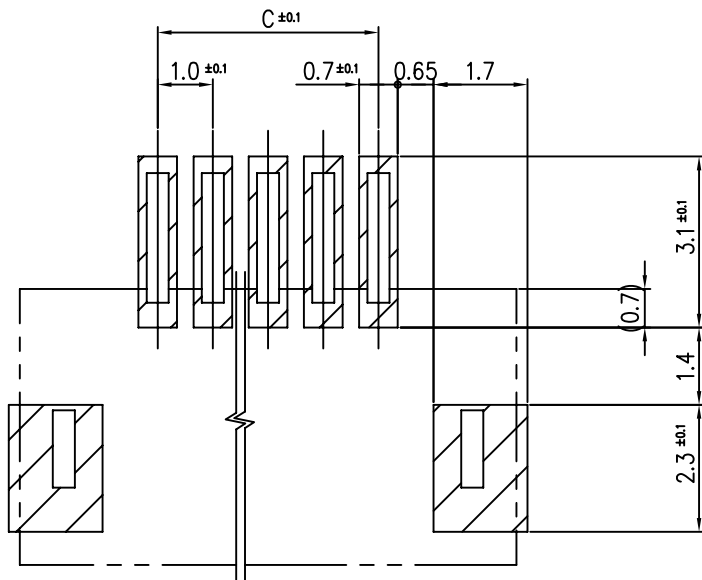
주:
 1. GENERAL TOLERANCE ±0.3
 2. 관련부품: TERMINAL: 10003TS,
 HOOK: 20015LR, 12505LR

| I/NO | DESCRIPTION | MATERIAL | QTY | REMARK |
|------|-------------|-----------------|-----|------------|
| 3 | HOOK | BRASS | 2 | Tin Plated |
| 2 | TERMINAL | PHOSPHOR BRONZE | NN | Tin Plated |
| 1 | HOUSING | PPS | 1 | |

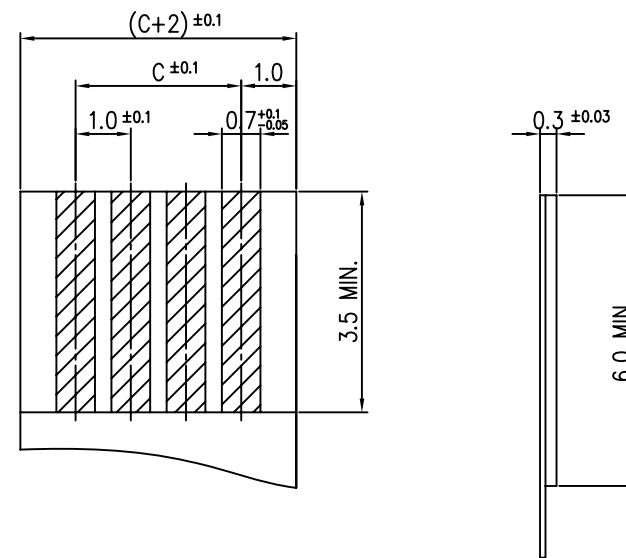
| REVISION | RECORD | DR | CHK | ECN |
|----------|--------------------------------|----------|-------|-------|
| △ | 20015LR----> 12505LR (형명변경) | 04.11.29 | H.S.K | C.J.W |
| △ | 시방변경(FILM 삽입력 힘 개선) 최종수정도면 | 03.07.29 | J.J.H | |
| △ | 살보강(CRACK 방지- 3.0mm 에서 3.1mm로) | 02.08.12 | C.B.H | K.S.N |

YEONHO ELECTRONICS CO., LTD.
 SCALE: 10/1
 DRAWN: SUH, S. W.
 DESIGN: 1999.2.25
 CHECK: H. S. K.
 APPD: 1999.2.25
 TITLE: 10003HR-NN
 SIZE: A3
 DWG. NO: 10003HR-00A-S
 REV: 03

"본 도면은 연호전자의 지적재산이므로 임의의 COPY 및 배포를 금합니다"




PCB LAYOUT



APPLICABLE FPC/FFC

| LTR | REVISION RECORD | DR | CHK | ECN |
|-----|--|----|-----|-----|
| | "본 도면은 연호전자의 지적재산이므로 임의 COPY 및 배포를 금합니다" | | | |

| I/NO | DESCRIPTION | MATERIAL | QTY | REMARK |
|-------|---|-------------------------|--|--------|
| |  YEONHO ELECTRONICS CO., LTD. | | TITLE 10003HR-NN (PCB LAYOUT & FILM SPEC.) | |
| SCALE | DRAWN | DESIGN | CHECK | APPD |
| 10/1 | | SUH, S. W. 1999.2.25 | H. S. K. 1999.2.25 | |
| SIZE | DWG. NO | | | REV |
| A3 | 10003HR-00A-L | | | |