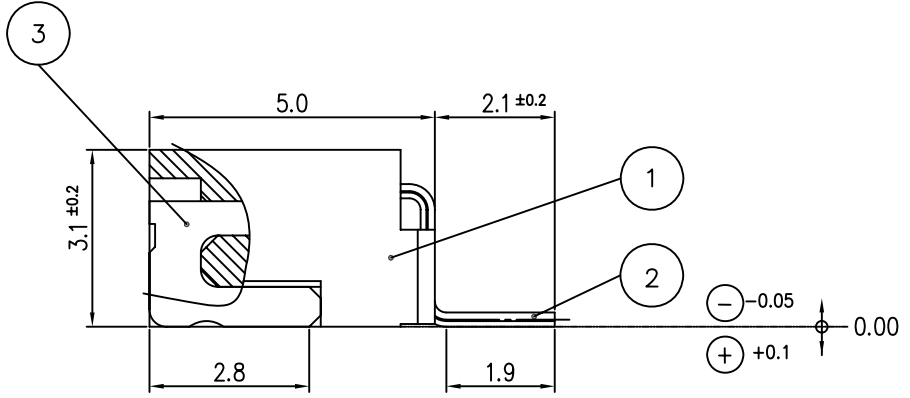
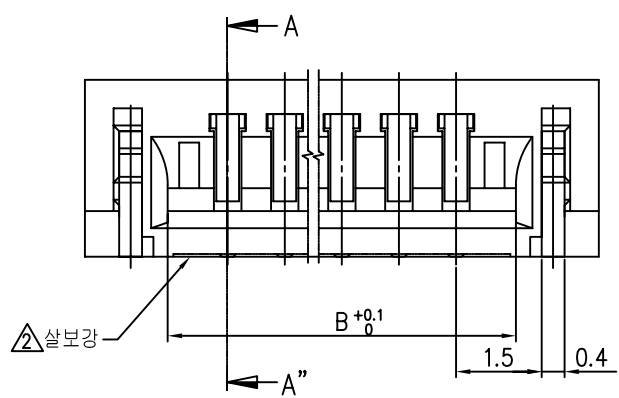


SEC A - A''



NO. OF POS.	PARTS NO.	A	B	C
3	10008HR-03A00	7.0	4.1	2.0
✓ 4	10008HR-04A00	8.0	5.1	3.0
✓ 5	10008HR-05A00	9.0	6.1	4.0
6	10008HR-06A00	10.0	7.1	5.0
✓ 7	10008HR-07A00	11.0	8.1	6.0
✓ 8	10008HR-08A00	12.0	9.1	7.0
✓ 9	10008HR-09A00	13.0	10.1	8.0
✓ 10	10008HR-10A00	14.0	11.1	9.0
✓ 11	10008HR-11A00	15.0	12.1	10.0
✓ 12	10008HR-12A00	16.0	13.1	11.0
✓ 13	10008HR-13A00	17.0	14.1	12.0
14	10008HR-14A00	18.0	15.1	13.0
✓ 15	10008HR-15A00	19.0	16.1	14.0
✓ 16	10008HR-16A00	20.0	17.1	15.0
✓ 17	10008HR-17A00	21.0	18.1	16.0
✓ 18	10008HR-18A00	22.0	19.1	17.0
19	10008HR-19A00	23.0	20.1	18.0
✓ 20	10008HR-20A00	24.0	21.1	19.0
21	10008HR-21A00	25.0	22.1	20.0
✓ 22	10008HR-22A00	26.0	23.1	21.0
✓ 23	10008HR-23A00	27.0	24.1	22.0
24	10008HR-24A00	28.0	25.1	23.0
✓ 25	10008HR-25A00	29.0	26.1	24.0
26	10008HR-26A00	30.0	27.1	25.0
27	10008HR-27A00	31.0	28.1	26.0
✓ 28	10008HR-28A00	32.0	29.1	27.0
29	10008HR-29A00	33.0	30.1	28.0
✓ 30	10008HR-30A00	34.0	31.1	29.0
✓ 31	10008HR-31A00	35.0	32.1	30.0
40	10008HR-40A00	44.0	41.1	39.0

주:
 1. 일반공차 : ±0.3
 2. 관련부품: TERMINAL: 10008TS,
 HOOK: 20015LR, 12505LR

3	HOOK	BRASS	2	TIN PLATED
2	TERMINAL	Phosper Bronze	NN	TIN PLATED
1	HOUSING	PPS	1	
I/NO	DESCRIPTION	MATERIAL	QTY	REMARK

YEONHO ELECTRONICS CO., LTD.

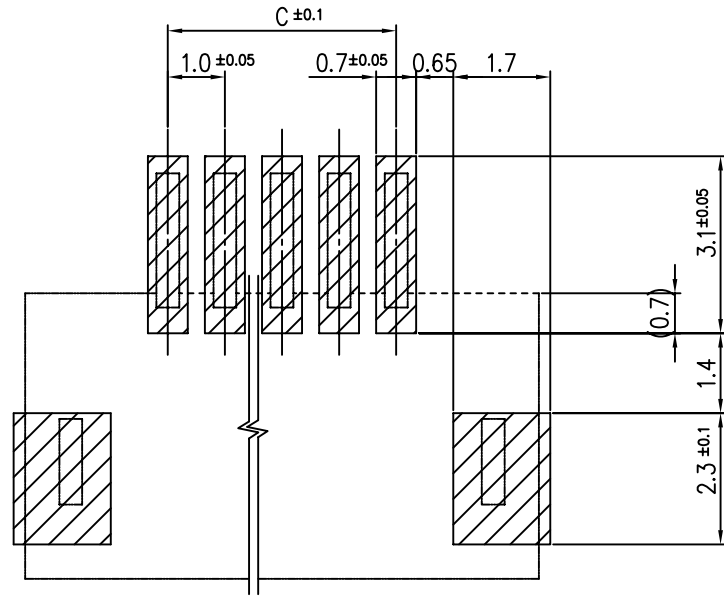
SCALE: 10/1 DRAWN: SUH, S. W. DESIGN: H. S. K. CHECK: 1999.10.20 APPD: 1999.10.20

TITLE: 10008HR-NN

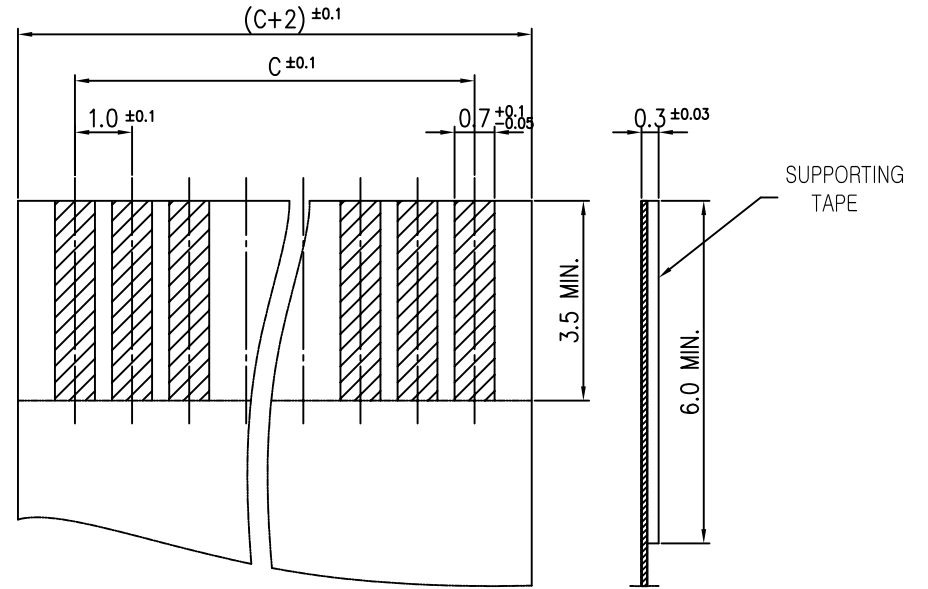
SIZE: A3 DWG. NO: 10008HR-00A-S REV: 02

△	내용	DATE	DR	CHK
△	홈 및 평탄도 개선 살보강	07.03.05	L.S.H	J.J.H
△	표시부 형명변경(도면현실화)	04.04.19	J.J.H	
LTR	REVISION RECORD	DATE	DR	CHK

"본 도면은 연호전자의 지적재산이므로 임의 COPY 및 배포를 금합니다"



PCB LAYOUT



APPLICABLE FPC/FFC

LTR	REVISION RECORD	DATE	DR	CHK

"본 도면은 연호전자의 지적재산이므로 임의 COPY 및 배포를 금합니다"

I/NO	DESCRIPTION	MATERIAL	QTY	REMARK

		TITLE	
SCALE 10/1		10008HR-NN	
DRAWN SUH, S. W. 1999.10.20	DESIGN H. S. K. 1999.10.20	APPD	SIZE A3
		DWG. NO 10008HR-00A-L	REV 0