



ZMM55C2V4 ~ ZMM55C100

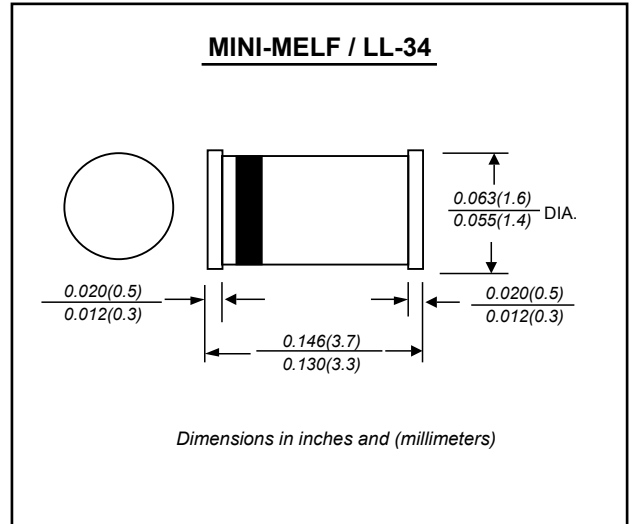
500mW SUFACE MOUNT ZENER DIODE

FEATURES

- Planar Die construction
- 500mW Power Dissipation
- Ideally Suited for Automated Assembly Processes
- Both normal and Pb free product are available :
 - Normal : 80~95% Sn, 5~20% Pb
 - Pb free: 98.5% Sn above

MECHANICAL DATA

- Case: Molded Glass MINI-MELF
- Terminals: Solderable per MIL-STD-750, Method 2026
- Polarity: See Diagram Below
- Approx. Weight: 0.03 grams
- Mounting Position: Any



ABSOLUTE MAXIMUM RATINGS(LIMITING VALUES)(TA=25°C)

	Symbols	Value	Units
Zener current see table "Characteristics"			
Power dissipation at TA=25°C	P _{tot}	500 ¹⁾	mW
Junction temperature	T _J	175	°C
Storage temperature range	T _{stg}	-55 to + 175	°C

1)Valid provided that at a distance of 8mm from case are kept at ambient temperature

ELECTRICAL CHARACTERISTICS(TA=25°C)

	Symbols	Min.	Typ.	Max.	Units
Thermal resistance junction to ambient	R _{THA}			0.31 ¹⁾	K/mW
Forward voltage at I _F =200mA	V _F			1.1	V

1)Valid provided that leads at a distance of 8mm from case are kept at ambient temperature



ZMM55C2V4 ~ ZMM55C100

500mW SUFACE MOUNT ZENER DIODE

Part Number	Nominal Zener Voltage			Max. Zener Impedance				Max Reverse Leakage Current		Temperature Coefficient of Zen Voltage		
	V _Z @ I _{ZT}			Z _{ZT} @ I _{ZT}		Z _{ZK} @ I _{ZK}		I _R @ V _R		TK _{VZ} %/K		
	Nom. V	Min. V	Max. V	Ω	mA	Ω	mA	uA	V		Min	Max
ZMM55C2V4	2.4	2.28	2.56	85	5	600	1.0	50	1.0		-0.09	-0.06
ZMM55C2V7	2.7	2.5	2.9	85	5	600	1.0	10	1.0		-0.09	-0.06
ZMM55C3V0	3.0	2.8	3.2	85	5	600	1.0	4	1.0		-0.08	-0.05
ZMM55C3V3	3.3	3.1	3.5	85	5	600	1.0	2	1.0		-0.08	-0.05
ZMM55C3V6	3.6	3.4	3.8	85	5	600	1.0	2	1.0		-0.08	-0.05
ZMM55C3V9	3.9	3.7	4.1	85	5	600	1.0	2	1.0		-0.08	-0.05
ZMM55C4V3	4.3	4.0	4.6	75	5	600	1.0	1	1.0		-0.06	-0.03
ZMM55C4V7	4.7	4.4	5.0	60	5	600	1.0	0.5	1.0		-0.05	0.02
ZMM55C5V1	5.1	4.8	5.4	35	5	550	1.0	0.1	1.0		-0.02	0.02
ZMM55C5V6	5.6	5.2	6.0	25	5	450	1.0	0.1	1.0		-0.05	0.05
ZMM55C6V2	6.2	5.8	6.6	10	5	200	1.0	0.1	2.0		0.03	0.06
ZMM55C6V8	6.8	6.4	7.2	8	5	150	1.0	0.1	3.0		0.03	0.07
ZMM55C7V5	7.5	7.0	7.9	7	5	50	1.0	0.1	5.0		0.03	0.07
ZMM55C8V2	8.2	7.7	8.7	7	5	50	1.0	0.1	6.0		0.03	0.08
ZMM55C9V1	9.1	8.5	9.6	10	5	50	1.0	0.1	7.0		0.03	0.09
ZMM55C10	10	9.4	10.6	15	5	70	1.0	0.1	7.5		0.03	0.1
ZMM55C11	11	10.4	11.6	20	5	70	1.0	0.1	8.5		0.03	0.11
ZMM55C12	12	11.4	12.7	20	5	90	1.0	0.1	9.0		0.03	0.11
ZMM55C13	13	12.4	14.1	26	5	110	1.0	0.1	10		0.03	0.11
ZMM55C15	15	13.8	15.6	30	5	110	1.0	0.1	11		0.03	0.11
ZMM55C16	16	15.3	17.1	40	5	170	1.0	0.1	12		0.03	0.11
ZMM55C18	18	16.8	19.1	50	5	170	1.0	0.1	14		0.03	0.11
ZMM55C20	20	18.8	21.2	55	5	220	1.0	0.1	15		0.03	0.11
ZMM55C22	22	20.8	23.3	55	5	220	1.0	0.1	17		0.03	0.11
ZMM55C24	24	22.8	25.6	80	5	220	1.0	0.1	18		0.04	0.12
ZMM55C27	27	25.1	28.9	80	5	220	1.0	0.1	20		0.04	0.12
ZMM55C30	30	28	32	80	5	220	1.0	0.1	22		0.04	0.12
ZMM55C33	33	31	35	80	5	220	1.0	0.1	24		0.04	0.12
ZMM55C36	36	34	38	80	5	220	1.0	0.1	27		0.04	0.12
ZMM55C39	39	37	41	90	2.5	500	1.0	0.1	30		0.04	0.12
ZMM55C43	43	40	46	90	2.5	600	1.0	0.1	33		0.04	0.12
ZMM55C47	47	44	50	110	2.5	700	1.0	0.1	36		0.04	0.12
ZMM55C51	51	48	54	125	2.5	700	0.5	0.1	39		0.04	0.12
ZMM55C56	56	52	60	135	2.5	1000	0.5	0.1	43		0.04	0.12
ZMM55C62	62	58	66	150	2.5	1000	0.5	0.1	47		0.04	0.12
ZMM55C68	68	64	72	200	2.5	1000	0.5	0.1	51		0.04	0.12
ZMM55C75	75	70	79	250	2.5	1500	0.5	0.1	56		-	-
ZMM55C82	82	77	87	300	2.5	2000	0.5	0.1	62		-	-
ZMM55C91	91	85	96	450	1.0	5000	0.1	0.1	68		-	-
ZMM55C100	100	94	106	450	1.0	5000	0.1	0.1	75		-	-

Notes : STANDARD VOLTAGE TOLERANCE IS ± 5%



ZMM55C2V4 ~ ZMM55C100

RATINGS AND CHARACTERISTIC CURVES

FIG.1- BREAKDOWN CHARACTERISTICS

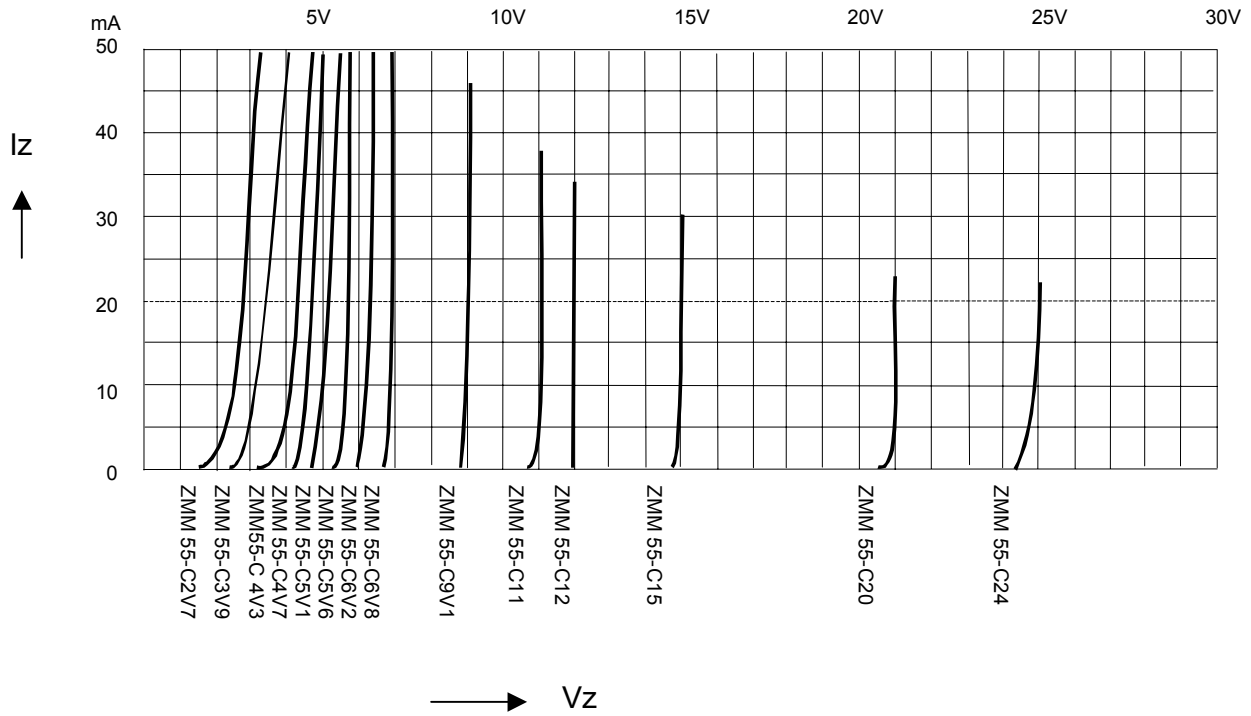


FIG.2- POWER ,TEMPERATURE DERATING CURVE

