

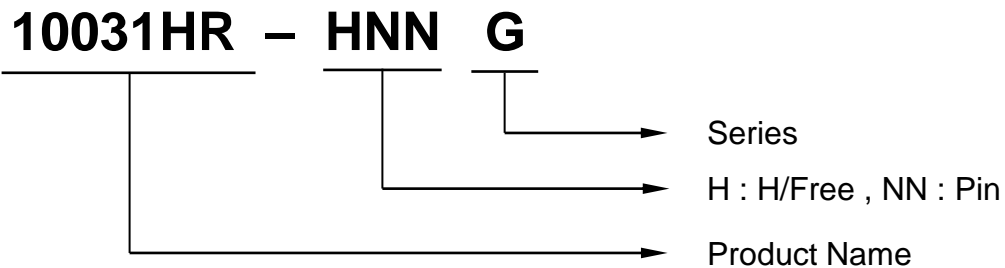
□ Feature

1. This Product is an FFC/FPC Connector
2. Product Height is 6.0mm Connector
3. Top ,Bottom Contact and Horizontal mount type
4. Uses standard 0.3mm thickness FFC/FPC
5. Actuator Position is Back-Flip Type
6. High FFC retention force Connector

□ Product Specification

Item	Specification
Operating Voltage	AC/DC 50V
Current Rating	AC/DC 0.5A
Operating Temperature	-25°C ~ +85°C
Insulation resistance	100MΩ
Withstanding voltage	No flash over and no physical damage
Contact resistance	30mΩ MAX
Durability	Contact Resistance : 50mΩ MAX
Vibration	1) Contact Resistance : 50mΩ MAX 2) Discontinue : 1μsec MAX

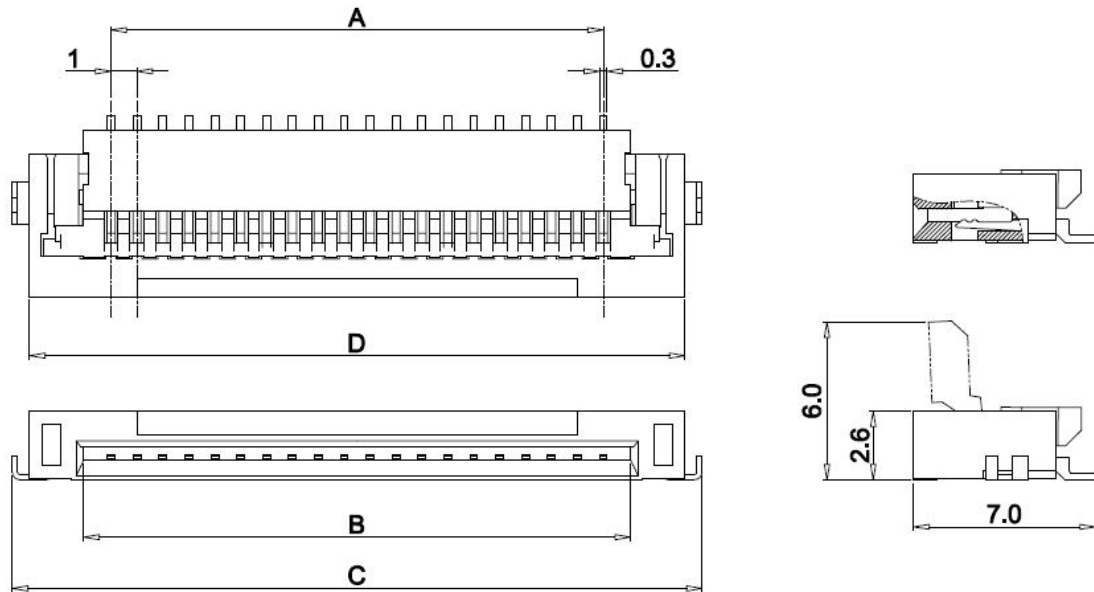
□ Ordering Code



□ Material / Plating

Part	Material	Plating / Color
Housing	LCP	Natural
Actuator	PPS	Black
Terminal	Copper Alloy	Sn Plating
Hook	Copper Alloy	Sn Plating

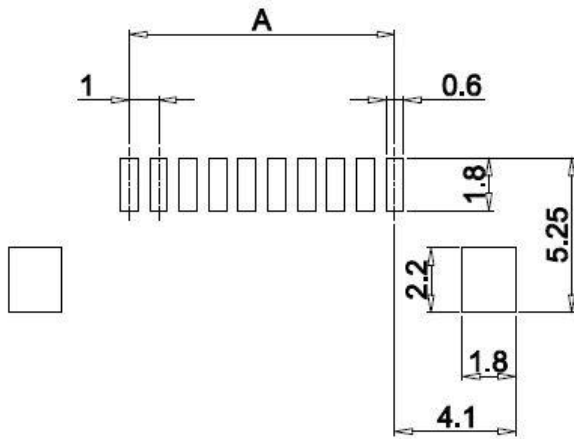
□ Connector Dimension



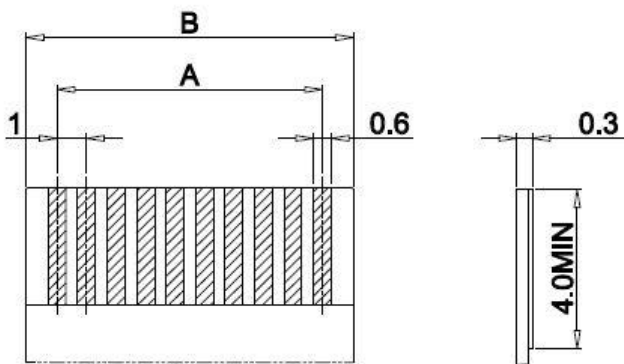
Part Name	Pin	A	B	C	D
10031HR-H04G	4	3	5.2	10.6	9.3
10031HR-H06G	6	5	7.2	12.6	11.3
10031HR-H08G	8	7	9.2	14.6	13.3
10031HR-H10G	10	9	11.2	16.6	15.3
10031HR-H12G	12	11	13.2	18.6	17.3
10031HR-H14G	14	13	15.2	20.6	19.3
10031HR-H16G	16	15	17.2	22.6	21.3
10031HR-H18G	18	17	19.2	24.6	23.3
10031HR-H20G	20	19	21.2	26.6	25.3
10031HR-H22G	22	21	23.2	28.6	27.3
10031HR-H26G	24	23	27.2	30.6	29.3
10031HR-H28G	26	25	29.2	32.6	31.3
10031HR-H30G	28	27	31.2	34.6	33.3
10031HR-H34G	30	29	35.2	36.6	35.3
10031HR-H38G	34	33	39.2	40.6	39.3
10031HR-H40G	38	37	41.2	44.6	43.3

※ Contact Yeonho Sales representative if considering use of non-specified circuits

□ FFC/FPC & PCB Pattern Dimension

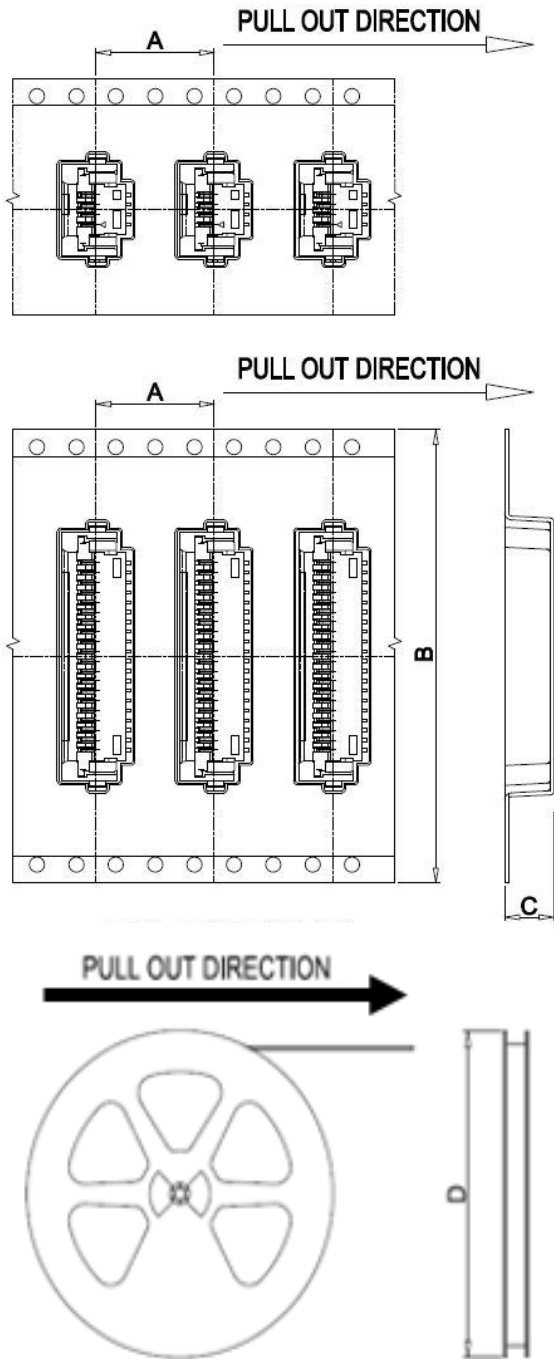


Pin	A	B
4	3	5.1
6	5	7.1
8	7	9.1
10	9	11.1
12	11	13.1
14	13	15.1
16	15	17.1
18	17	19.1
20	19	21.1
22	21	23.1
24	23	25.1
26	25	27.1
28	27	29.1
30	29	31.1
34	33	35.1
38	37	39.1
40	39	41.1



※ Contact Yeonho Sales representative if considering use of non-specified circuits

□ Packing Dimension



Pin	A	B	C	D
4	16	24	3.3	Φ380
6	16	24	3.3	Φ380
8	16	24	3.3	Φ380
10	16	32	3.3	Φ380
12	16	32	3.3	Φ380
14	16	32	3.3	Φ380
16	16	44	3.3	Φ380
18	16	44	3.3	Φ380
20	16	44	3.3	Φ380
22	16	44	3.3	Φ380
24	16	44	3.3	Φ380
26	16	44	3.3	Φ380
28	16	44	3.3	Φ380
30	16	56	3.3	Φ380
34	16	56	3.3	Φ380
38	16	56	3.3	Φ380
40	16	72	3.3	Φ380

※ Contact Yeonho Sales representative if considering use of non-specified circuits